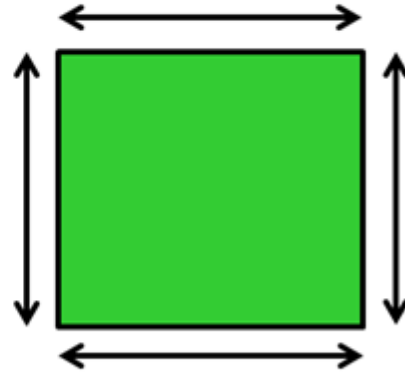




# PERIMETER OF SHAPES

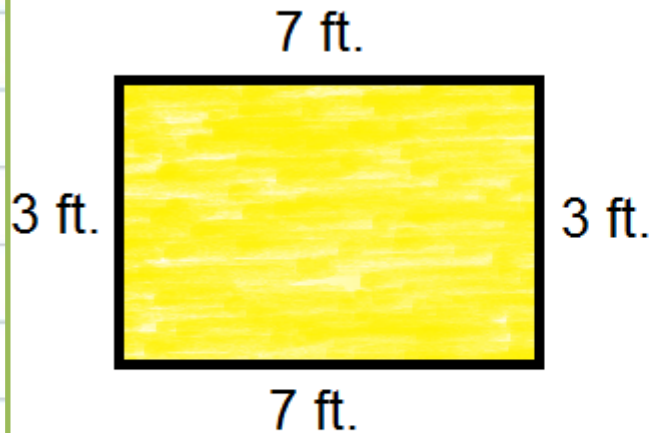
## What is Perimeter?

The perimeter is the distance all the way around the outside of a 2D shape.



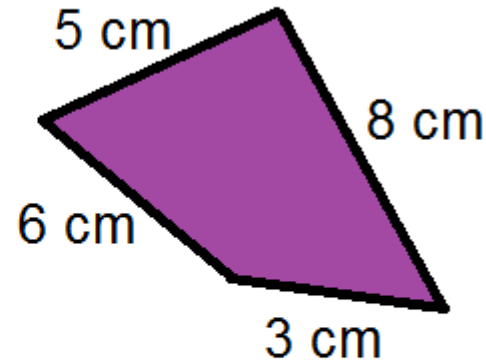
# Examples

## Finding Perimeter



$$7 + 3 + 7 + 3 = 20$$

The perimeter is 20 feet.



$$5 + 8 + 3 + 6 = 22$$

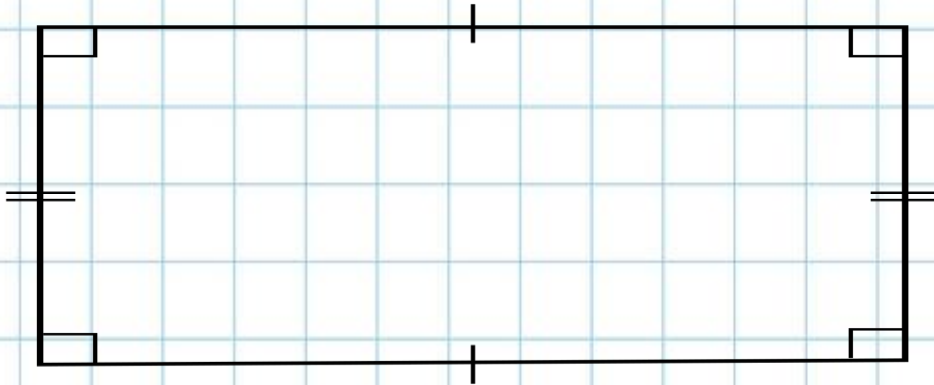
The perimeter is 22 cm.

**UNITS** are very important. Here you have examples with feet (ft) and centimeters (cm), but it could be kilometers (km) or meters (m) or inches.

**ATTENTION!! ALL THIS WORK HAS TO BE IN THE FOLDER. COPY THE DATE AND TITLE BEFORE YOU START.**

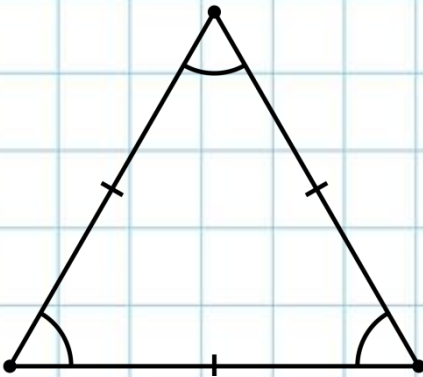
## A) Calculate the perimeter of the following shapes

1)



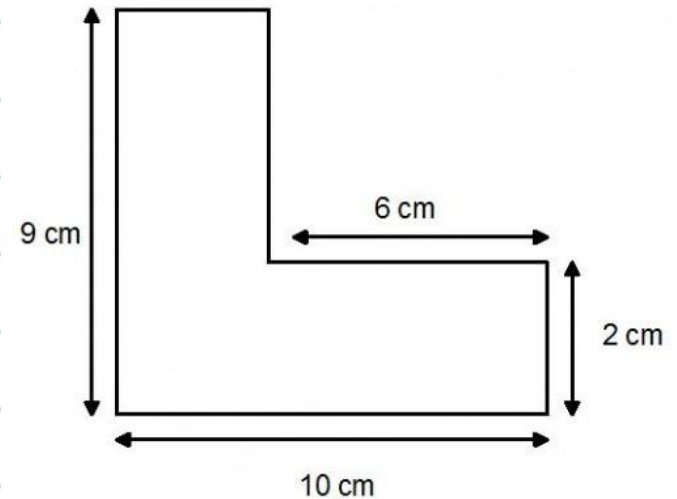
One side is 5m  
and the other  
one is the double.

2)



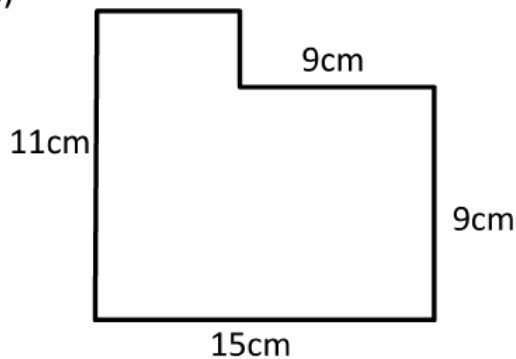
One side is 7.5ft.

3)



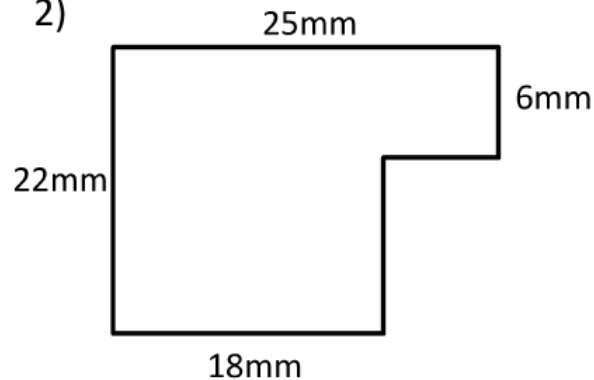
## B) Calculate the perimeter of the following shapes

1)



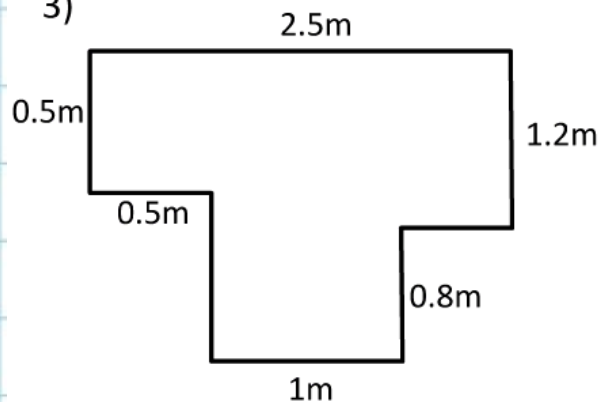
Perimeter = \_\_\_\_\_ cm

2)



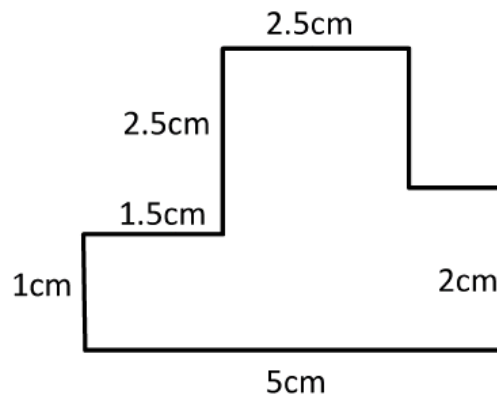
Perimeter = \_\_\_\_\_ mm

3)



Perimeter = \_\_\_\_\_ m

4)



Perimeter = \_\_\_\_\_ cm

**C) Solve the problems. Write ALL your calculations and answers in the folder.**

**1) Peter and Mary have bought a RECTANGULAR plot of land and they want to fence it. If the land is 35m x 65m, how much wire will they need?**

**2) If they want to put triple wire, how much will they have to buy?**

**3) If they bought 7 rolls of wire and each roll brings 55m of wire, will they need to buy more if they want to TRIPLE wire the land?**

**a) If YES, how much more?**

**b) If NO, how much do they have left?**